

HOLLOW METAL DOORS AND FRAMES

- Material shown in these drawings will be fabricated only after formal approval by the architect, receipt of approved hardware schedule and all necessary hardware templates.
- All frames to be shipped "knocked down" unless otherwise specified.
- Doors and frames shall be thoroughly cleaned, phosphatized and painted with one coat of primer to inhibit corrosion.
- Doors and frames will be reinforced for surface mounted hardware as required. Drilling and tapping for surface mounted hardware shall be performed by others.
- All standard type hardware will be located at this manufacturer's standard location as shown on door and frame elevation. Hardware items such as panic exit devices, deadlocks, etc. will also be located at manufacturers standard location unless specifically advised.
- All frames will be prepared for door silencers, three for single swing openings and two per head for double swing openings. (Silencers not included.)
- Installation of all glass and glazing to be done by others.
- All frames will be supplied with require wall and floor anchors as illustrated on Frame Detail sheet.
- All frames and doors will be tagged with Deansteel shop marks. This schedule can be used to cross reference shop marks with architects marks.
- The hardware columns of the door and frame schedule sheets are for the use of our shop fabrication personnel only.
- Hardware locations and door clearances will be in accordance with S.D.I. standards.
- When hollow metal is used in conjunction with aluminum or structural steel products, it will be the responsibility of the General Contractor to coordinate hardware locations.
- These approval drawings are not intended for use by other trades.
- Field welding, grinding, finishing and attachment of field splices by others.
- Anchor bolts, expansion shields or any type fastener to be furnished by others.
- All frames must be set absolutely plumb, square, and level.



NAAMM/HMMA



111 Merchant St. - San Antonio, TX 78204
 Ph: (800) 825-8271 - Fax: (210) 226-0913
 www.Deansteel.com

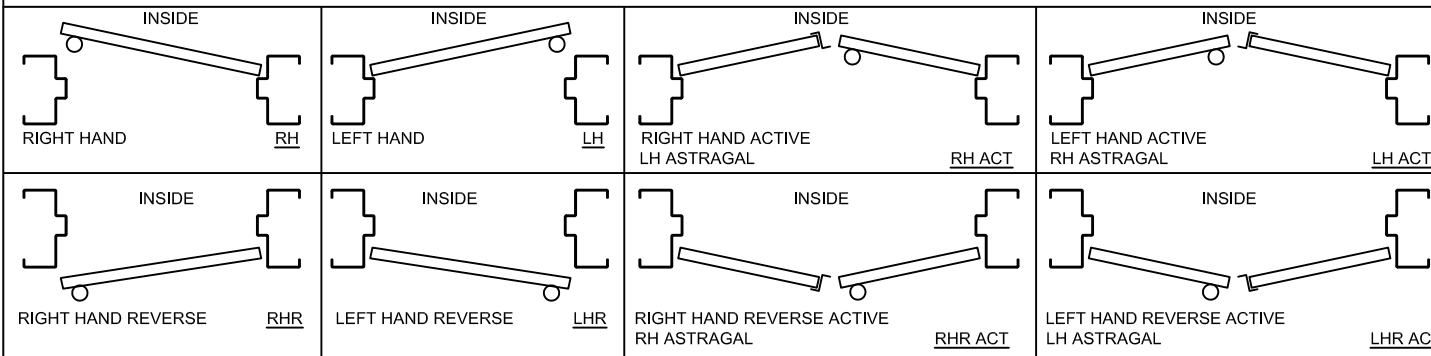
DISTRIBUTOR:

JOB:

LOCATION:

ARCHITECT:

CONTRACTOR:



REVISION HISTORY:

No.	Type	Date	By
1.			
2.			
3.			
4.			
5.			

DRAWN: _____ DATE: _____

SHEET _____ OF _____

LOCATION						FRAME DATA							DOOR DATA			HARDWARE					REMARKS						
ITEM	QUANTITY	ARCH MARK	FROM	TO	SWING	FRAME CONSTR.	GAUGE	DOOR OPENING		DOOR THICK	ELEV SHEET	SEC. SHEET	JAMB DEPTH	OVERALL HEIGHT	ANCHOR	DOOR CONST.	GAUGE	ELEV SHEET	LABEL	HINGE	LOCK	CLOSER	FLUSH BOLT	HDWR SET/HDG			

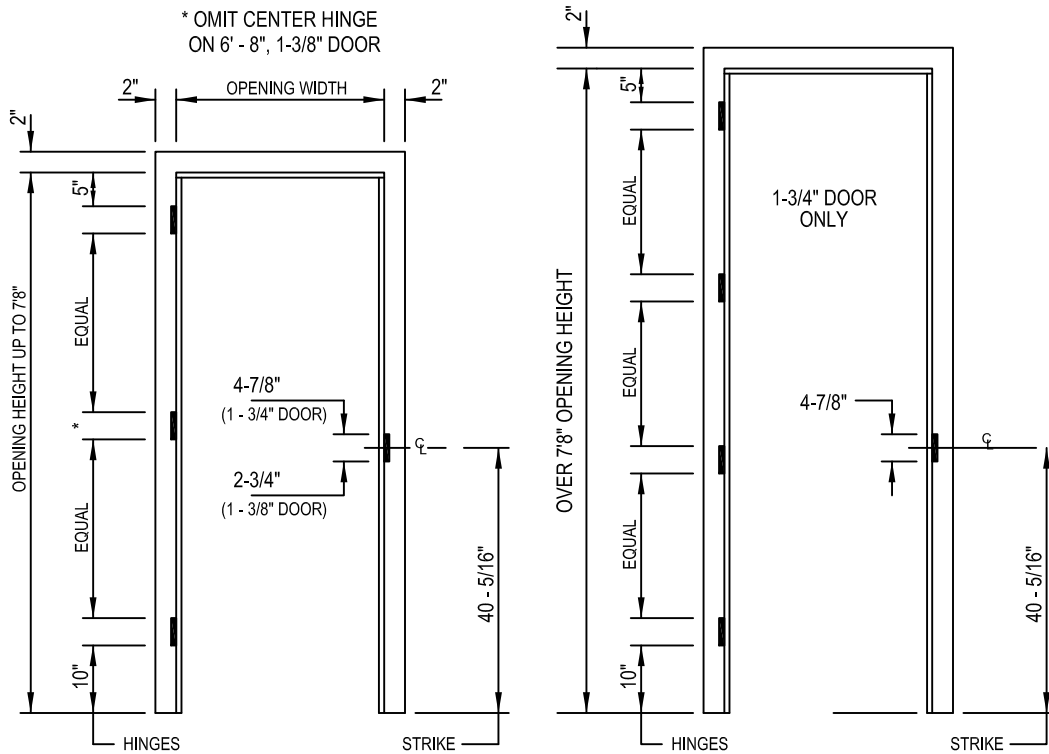


111 Merchant St. - San Antonio, TX 78204 - Ph: (800) 825-8271 - Fax: (210) 226-0913
 www.Deansteel.com

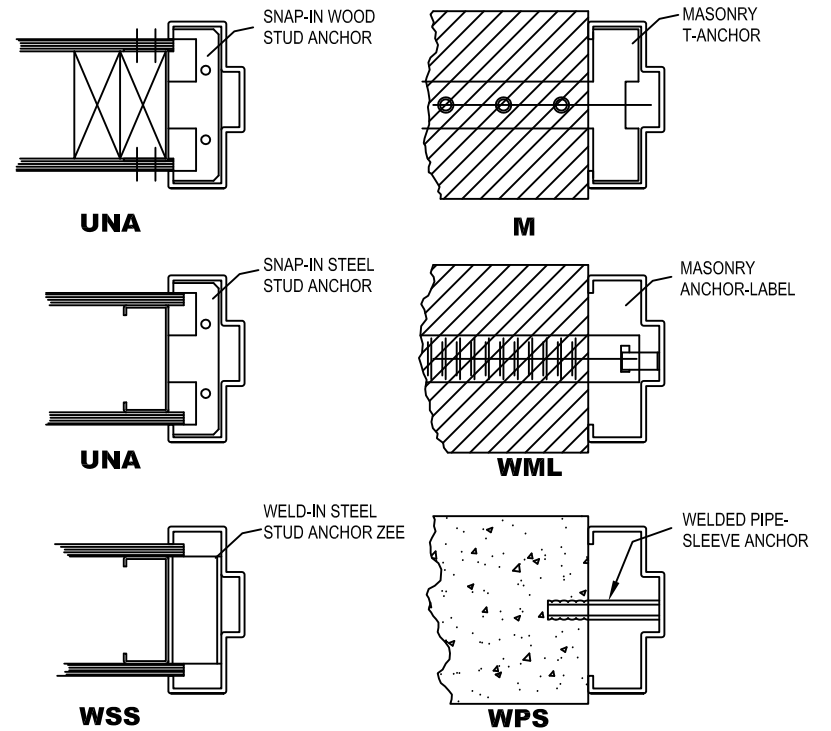
DOOR AND FRAME SCHEDULE

JOB NAME:

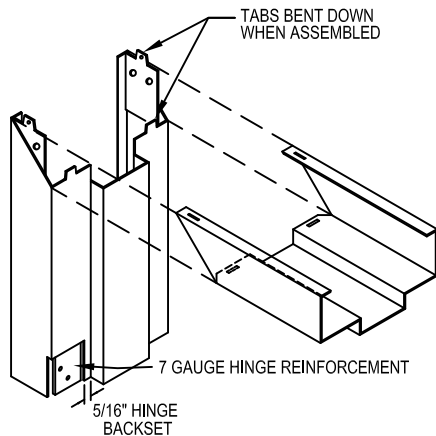
DRAWN:	DATE:
SHEET	OF



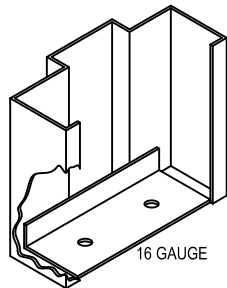
HARDWARE LOCATIONS



WALL ANCHORS



KNOCKED DOWN CORNER DETAIL



FLOOR ANCHOR

FRAME DETAILS

DEAN STEEL

111 Merchant St. - San Antonio, TX 78204 - Ph: (800) 825-8271 - Fax: (210) 226-0913
www.Deansteel.com

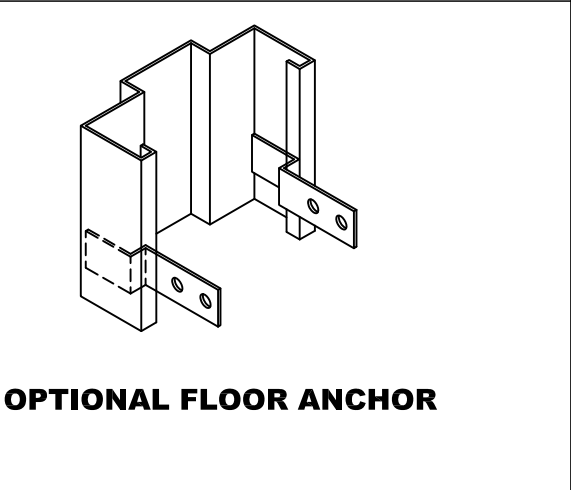
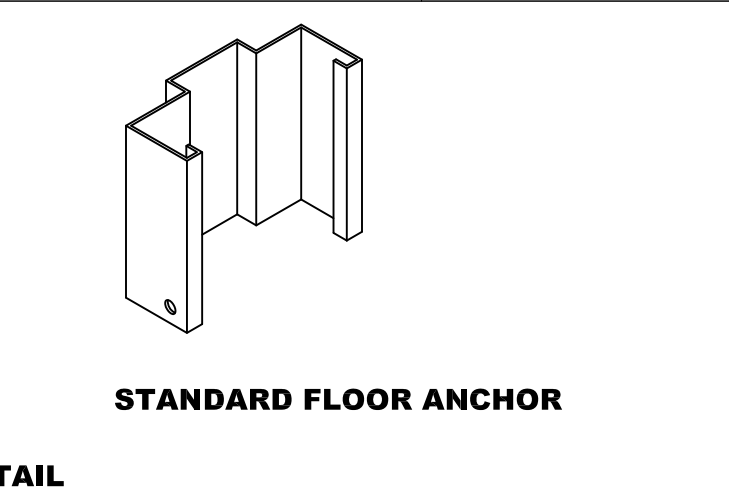
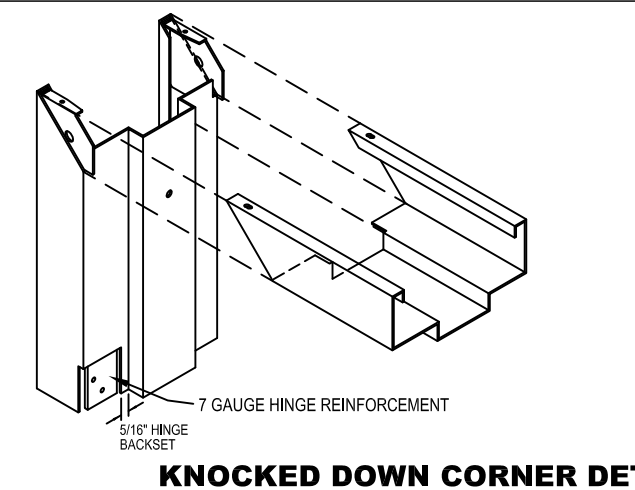
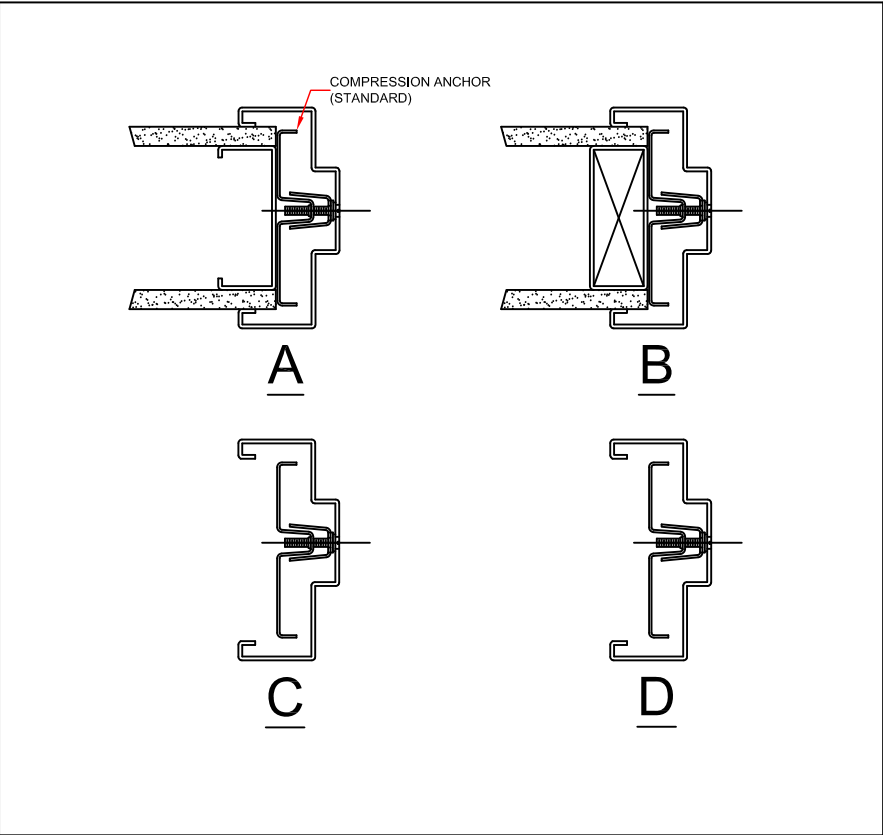
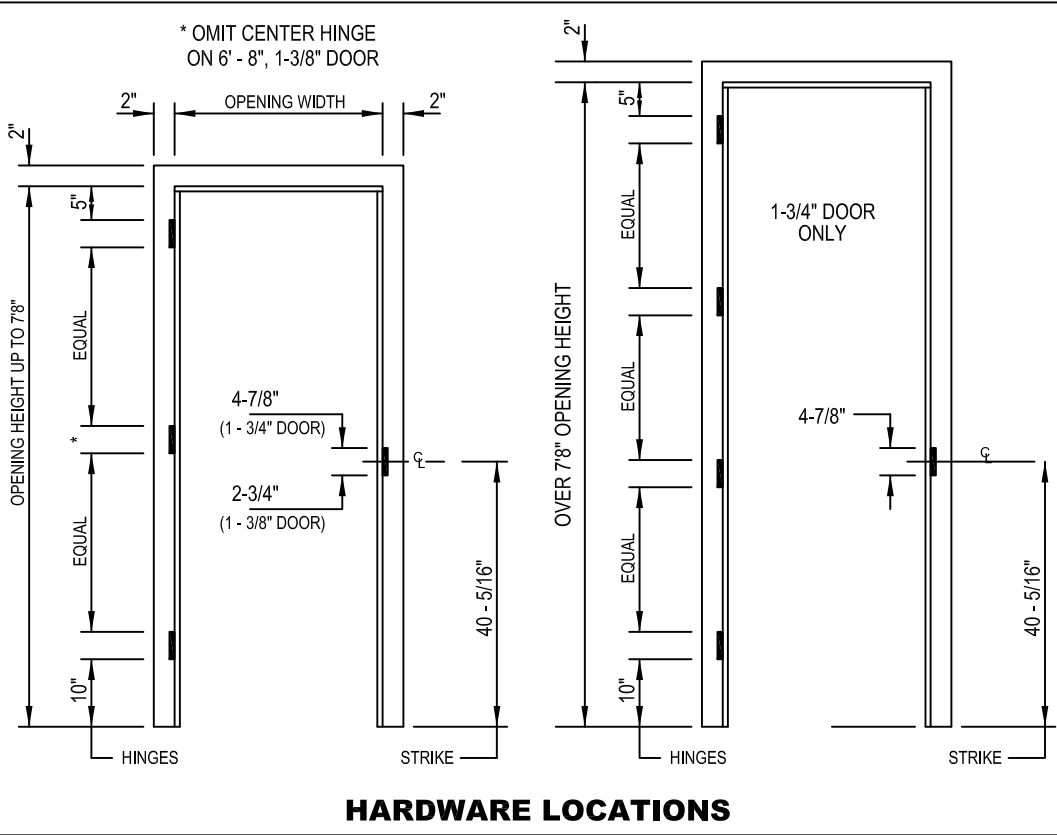
JOB NAME:

DRAWN:

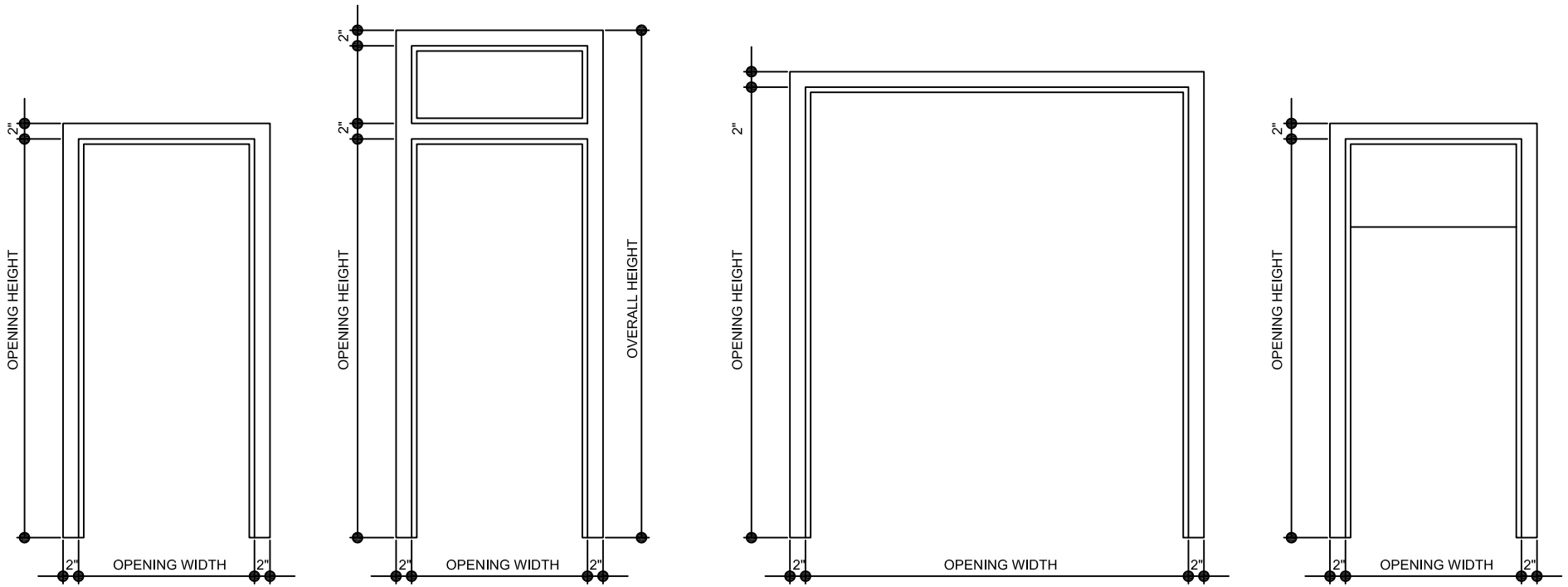
DATE:

SHEET

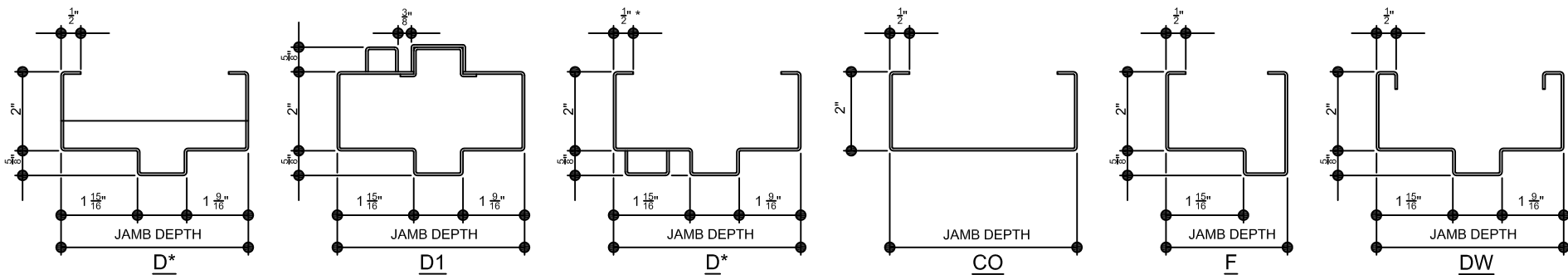
OF



<p>111 Merchant St. - San Antonio, TX 78204 - Ph: (800) 825-8271 - Fax: (210) 226-0913 www.Deansteel.com</p>	<p>DRYWALL FRAME DETAILS</p> <p>JOB NAME:</p>	DRAWN:	DATE:
		SHEET	OF



FRAME ELEVATIONS



FRAME SECTIONS

* DEANSTEEL'S STANDARD 5 3/4" "D" PROFILE FRAME IS FURNISHED WITH 7/16" FLANGE RETURNS AND A 4 7/8" THROAT OPENING UNLESS OTHERWISE SPECIFIED

DEANSTEEL

111 Merchant St. - San Antonio, TX 78204 - Ph: (800) 825-8271 - Fax: (210) 226-0913
www.Deansteel.com

JOB NAME:

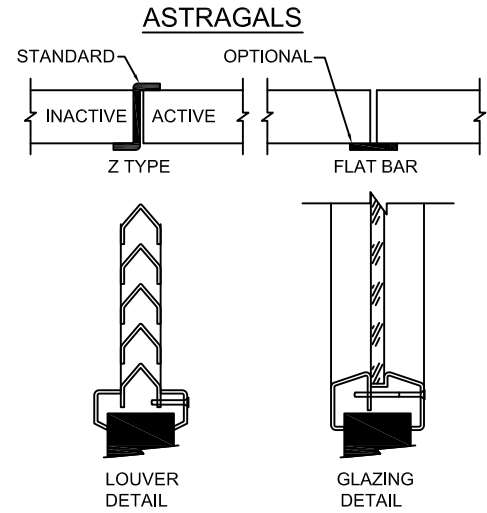
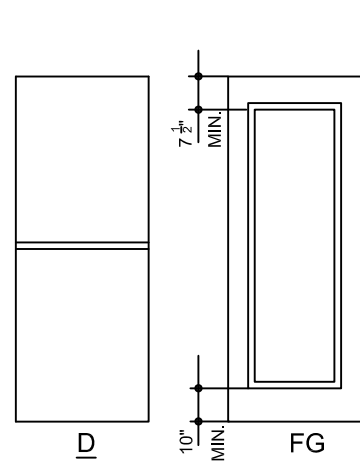
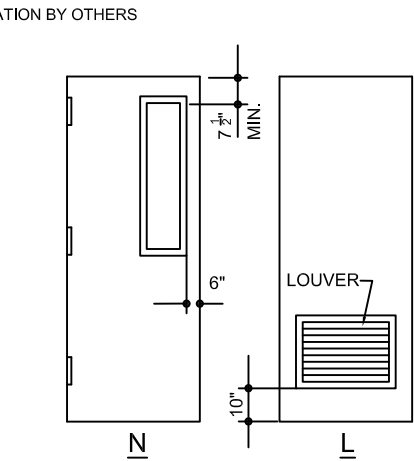
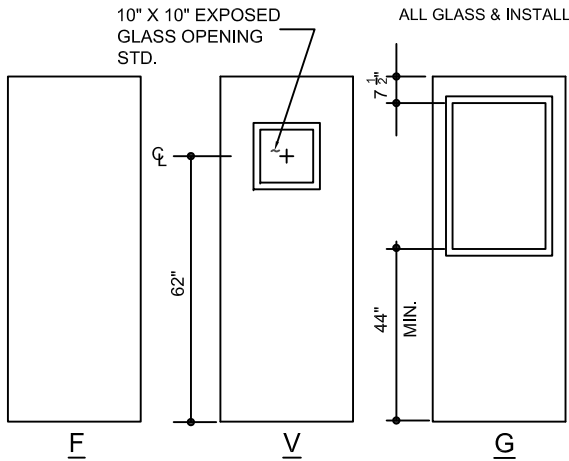
FRAME ELEVATIONS AND SECTIONS

DRAWN:

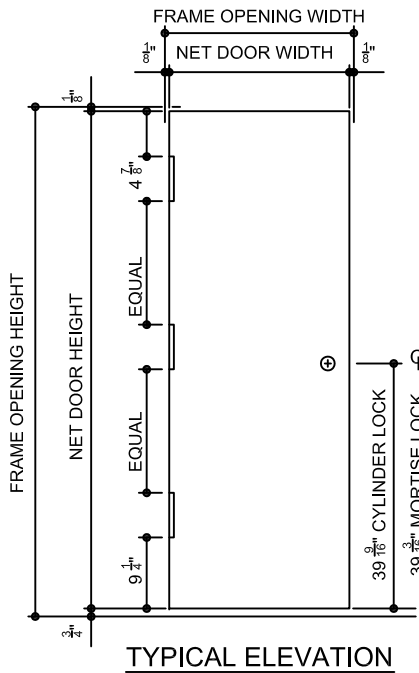
DATE:

SHEET

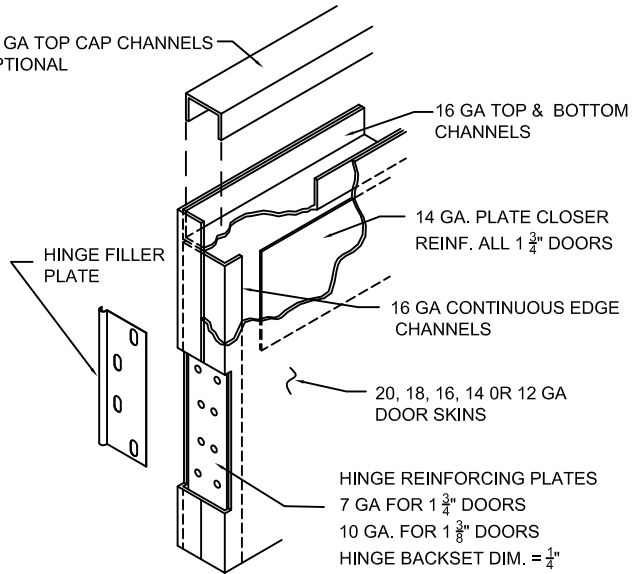
OF



DOOR ELEVATIONS

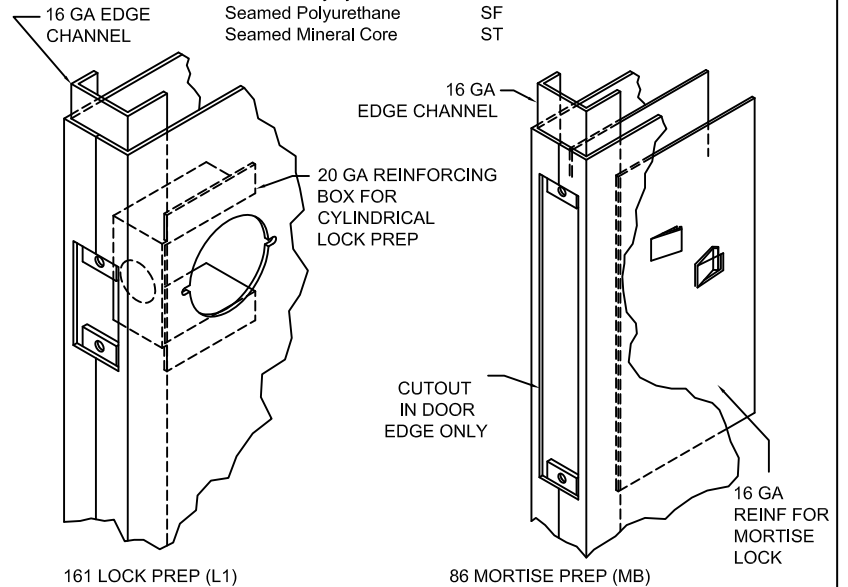


20 GA TOP CAP CHANNELS
OPTIONAL



TOP HINGE CORNER

DOOR CORES/CONST.	DESC.
Stainless Steel	SS
Seamed Vertical Stiffened	SV
Seamed Polystyrene	SP
Seamed Polyurethane	SF
Seamed Mineral Core	ST



LOCK PREPARATIONS

DOOR DETAILS



111 Merchant St. - San Antonio, TX 78204 - Ph: (800) 825-8271 - Fax: (210) 226-0913
www.Deansteel.com

DOOR ELEVATIONS AND DETAILS

JOB NAME:

DRAWN:

DATE:

SHEET

OF



111 Merchant St. - San Antonio, TX 78204 - Ph: (800) 825-8271 - Fax: (210) 226-0913
www.Deansteel.com

JOB NAME:

DRAWN:

DATE:

SHEET

OF