

# A60 / A0

46-CFR

### SPECIFICATIONS

---

<b>Frame</b>	14 GA. Cold Rolled Steel ASTM A1008 / A1008M
<b>Paint</b>	Prime Painted
<b>Glass</b>	Fire-Rated Laminated Glazing
<b>Size</b>	Up to 4,200 sq. inches (Width and Height Restrictions per Glazing Manufacturer)

### OPTIONS

---

<b>Frame</b>	14 GA. Stainless Steel Type 316L ASTM A240 / A240M
<b>Frame Type</b>	Welded or Bolted
<b>Paint</b>	Baked Enamel or Matte SS
<b>Customizations</b>	Size, Features, Welding Angle, Extended Flange, Dead Light Cover, Mullion
<b>Glass</b>	IGU



### CERTIFICATIONS

---

46 CFR 72.05-30  
46 CFR 116.433  
NVIC 9-97, CH-1

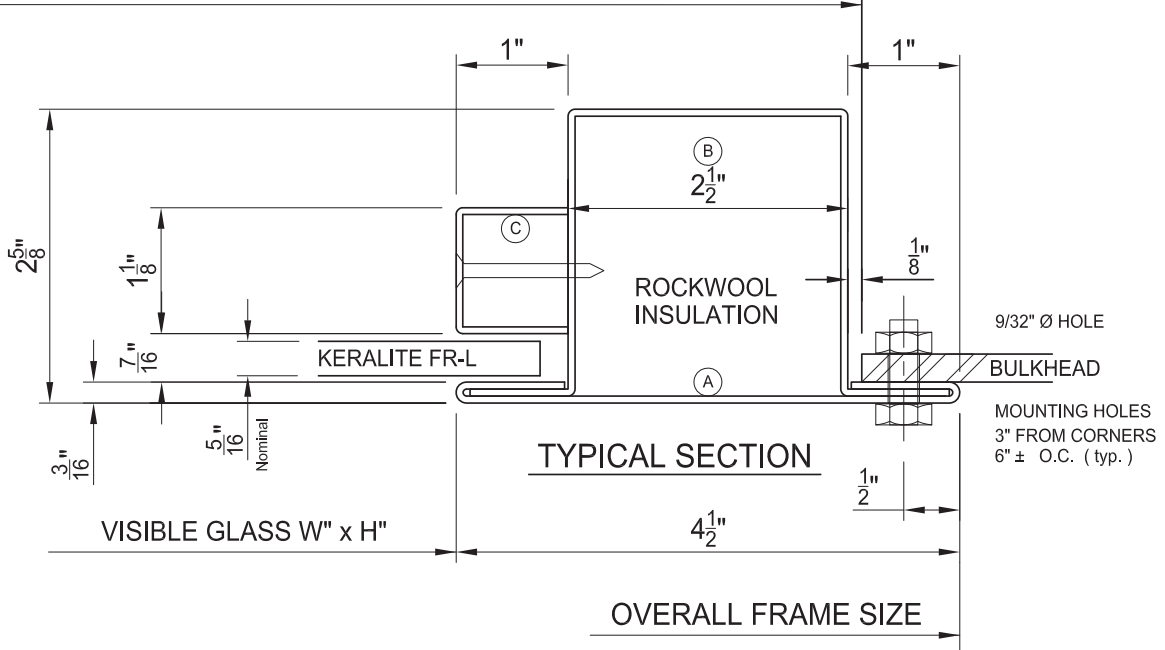
DeanSteel Manufacturing Company  
931 S. Flores Street  
San Antonio, TX 78204

P 800.825.8271  
F 210.226.0913  
[www.DeanSteel.com](http://www.DeanSteel.com)

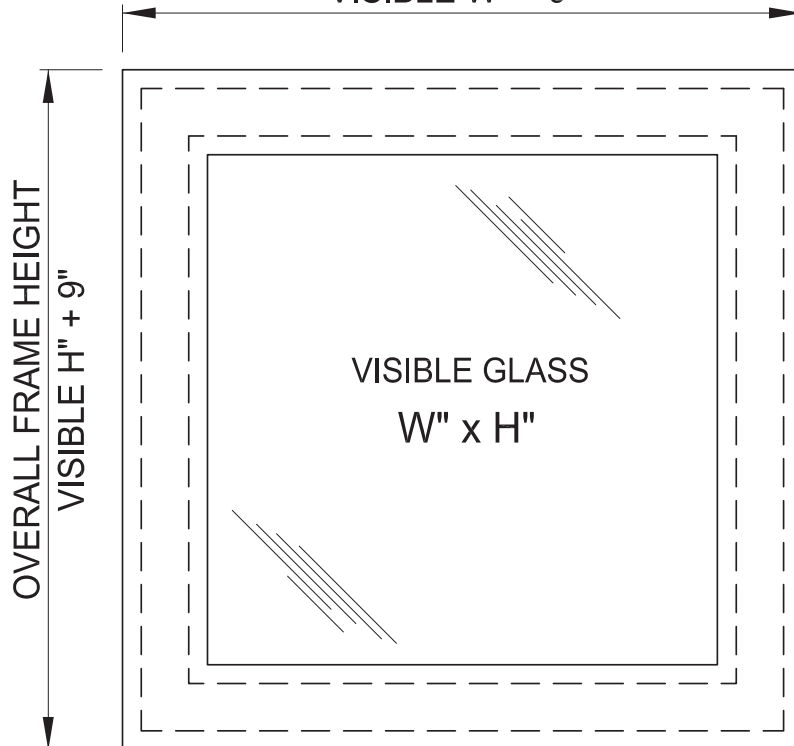


MADE IN AMERICA  
AND VETERAN OWNED

BULKHEAD OPEN. (VISIBLE W" + 7-1/4" x VISIBLE H" + 7-1/4")



OVERALL FRAME WIDTH  
VISIBLE W" + 9"



- MATERIAL: 14 GA CRS
- BOLT-ON APPLICATION
- FINISH: PRIMER
- GLASS SIZE : ---
- Quantity : ---